

091206T4PTT

PERIOPERATIVE THEATRE TECHNOLOGY

HE/OS/TT/CR/04/6/A

Provide Perioperative Theatre Technical Services

Nov/Dec. 2023



**TVET CURRICULUM DEVELOPMENT, ASSESSMENT AND CERTIFICATION
COUNCIL (TVET CDACC)**

WRITTEN ASSESSMENT

Time: 3 Hours

INSTRUCTIONS TO CANDIDATE

1. The paper consists of **TWO** sections: A and B
2. Do not write on the question paper.
3. Marks for each question are indicated in the brackets
4. You are provided with a separate answer booklet.

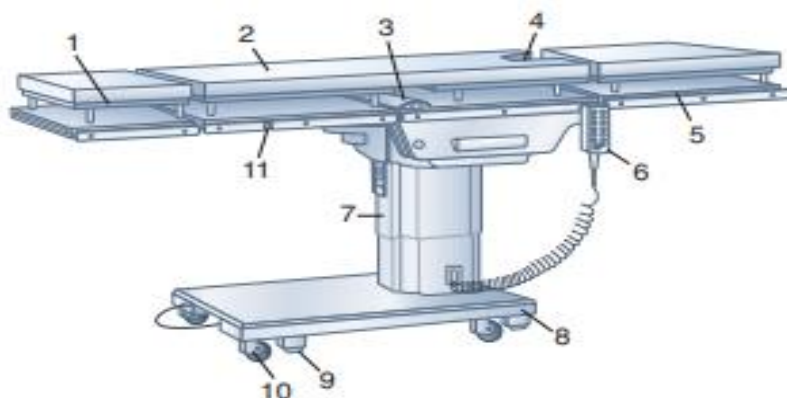
This paper consists of THREE (3) printed pages

Candidates should check the question paper to ascertain that all pages are printed as indicated and that no questions are missing

SECTION A: (40 MARKS)

Answer all questions in this section

1. Enumerate THREE factors to consider while selecting personal protective equipment worn in theatre. (3 marks)
2. Identify THREE qualities of operation theatre lights which enables them to be efficient during the performance of surgical procedures. (3 marks)
3. State FOUR main components of the electrosurgical unit to assemble during an operation. (4 marks)
4. You are preparing for a procedure and a suction machine is one of required instruments for the procedure. Highlight TWO ways for troubleshooting a suction machine. (2 marks)
5. Outline THREE uses of endoscopy in a perioperative theatre. (3 marks)
6. You are using an electrosurgical machine during surgery. State THREE risks associated with use the of diathermy machine. (3 marks)
7. Surgical procedures require adjustment of the operation bed so that the patient can be positioned appropriately. Give THREE reasons for adjusting an operation bed. (3 marks)
8. The diagram below shows the parts of an operation table.



- a) Name the parts labelled 4, 7 and 10. (3 marks)
- b) State the functions of parts 3 and 6. (2 marks)
9. Explain THREE functions of operation table accessories/attachments. (3 marks)
10. Differentiate between monopolar and bipolar diathermy. (3 marks)
11. You are required to assemble a suction machine. State FOUR components of a suction machine. (4 marks)
12. You are the theatre technologist on duty tasked with over-seeing waste management in operating room. Justify FOUR reasons for proper waste management. (4 marks)

SECTION B: (60 MARKS)

*Answer **three** questions in this section.*

13. Technical services need to be documented in accordance with work place procedures
- a) Explain FOUR advantages of Computerized Documentation in theatre. (8 marks)
 - b) Discuss SIX significance of documentation in the operating room. (12 marks)
14. You are the assistant to anaesthetist nurse in the operating room. You are tasked with the preparation of anaesthetic machine before surgery.
- a) Define the term anaesthesia. (2 marks)
 - b) Explain any FOUR safety features of anaesthesia machine. (8 marks)
 - c) Describe FIVE primary components of an anaesthetic machine. (10 marks)
15. One of your role is to prepare a conducive working environment in theatre. Describe how you will arrange the operation room in anticipation for surgery. (20 marks)
16. Discuss the process of managing waste that is generated in an operation room after a surgery. (20 marks)

END